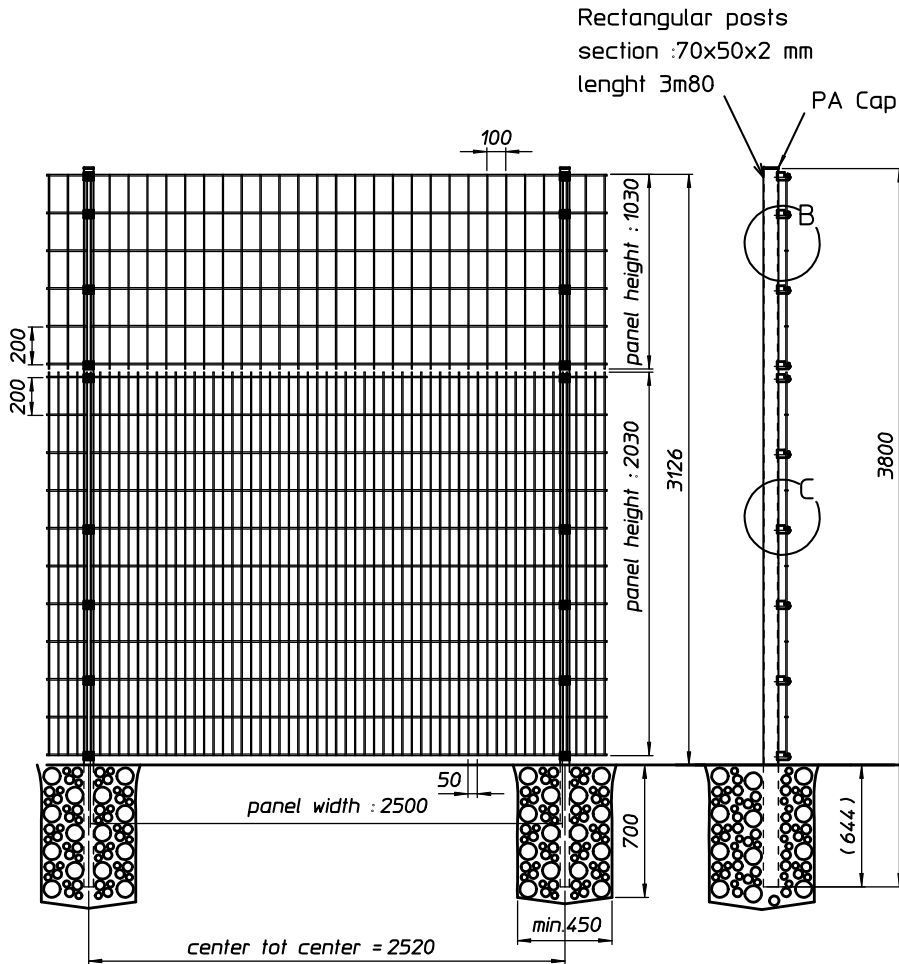


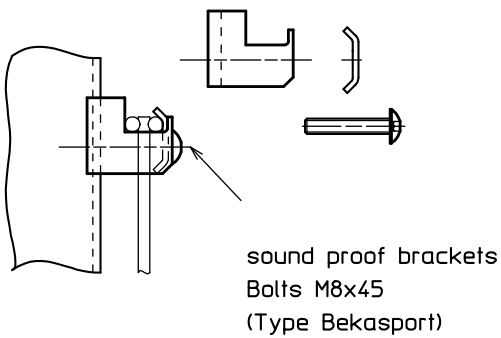
BALL-STOP "BEKASPORT"

nominal height 3000 mm

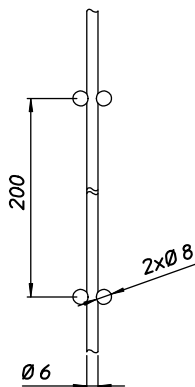


Details of the fixation

Detail B



Detail C



Project:	Rev:	Date:	Changed:	By:	✓ (✓/✓/✓)
Type:	A:				Free form- and placetolerances conform ISO 2768 m
Distribution:	B:				Admitted deviation of measures without indications of tolerance conform ISO 3098 -m
	C:				



BALLSTOP "BEKASPORT"
Height +/- 3M00

Designer: Vanderbrugghen S

Date: 26/01/2007

Scale: 1/..

THIS DRAWING AND THE RELATED INFORMATION IS AND REMAINS THE EXCLUSIVE PROPERTY OF BETAFENCE WITHOUT THE PRIOR WRITTEN CONSENT OF BETAFENCE. THIS DRAWING AND THE RELATED INFORMATION MAY NOT BE COPIED OR REPRODUCED, NOR COMMUNICATED IN ANY WAY TO A THIRD PARTY, NOR USED FOR MANUFACTURING OUTSIDE BETAFENCE. EACH INFRACTION OF THESE INTELLECTUAL PROPERTY RIGHTS OF BETAFENCE SHALL GIVE RISE TO LEGAL PROCEEDINGS.

IPR.8539cd